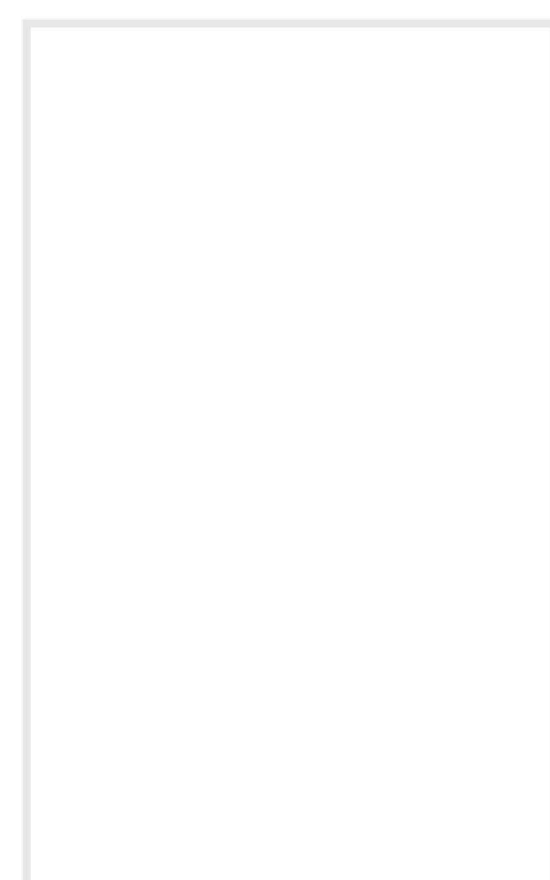




PACKING MANUAL

INDEX



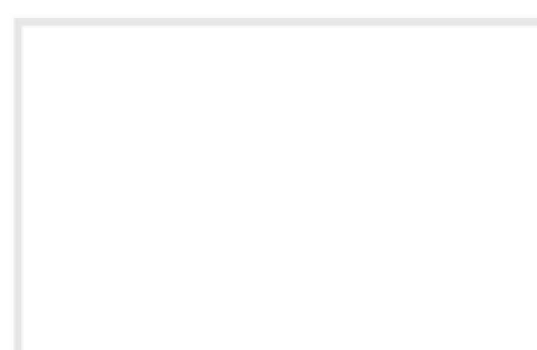
**120x
240cm**

9mm



**120x
240cm**

6mm



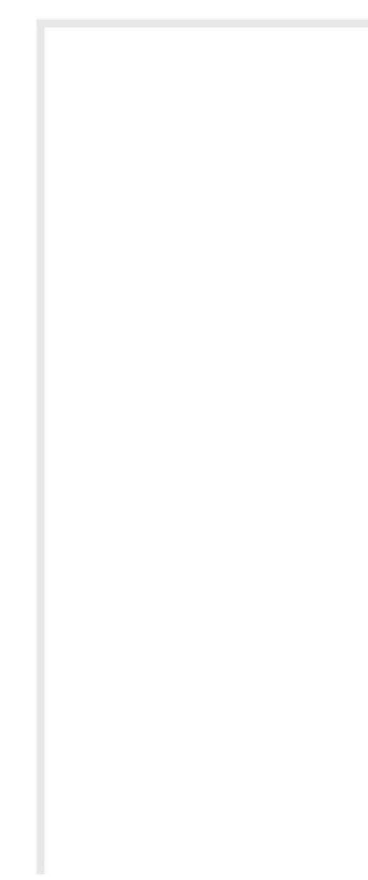
**120x
120cm**

9mm



**80x
160cm**

9mm



**80x
240cm**

15mm



**120x
160cm**

15mm

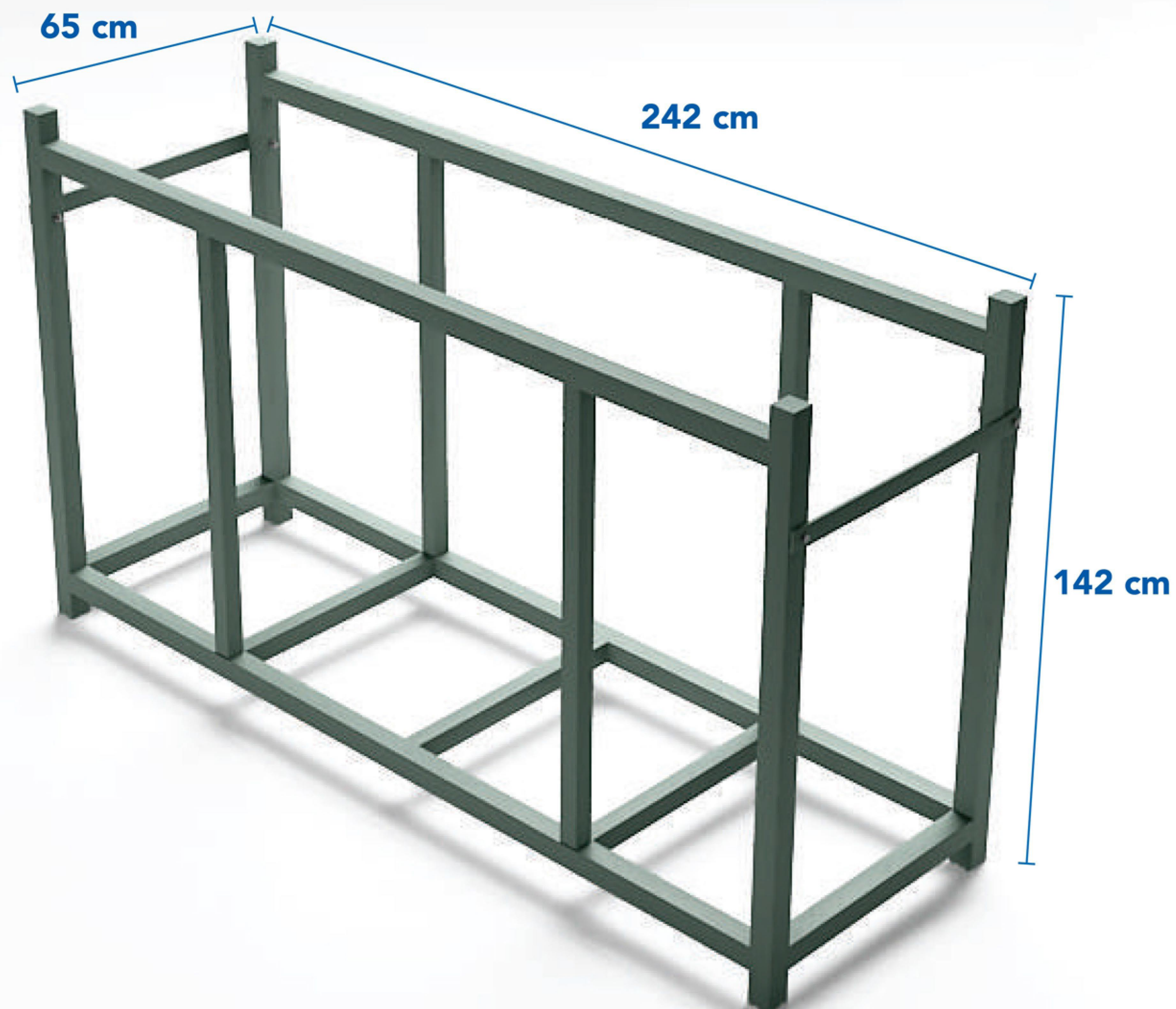
120x
240cm

▼
9mm
▲



EMPTY U PALLET

For 120x240cm Tiles
9mm Thickness



Iron Pallet
Wt.: 85 kgs.

U PALLET WITH 37 BOX

For 120x240cm Tiles

9mm Thickness



Pallet Packing Details

Thickness	9*mm
Area/Box	2.88 sq. mtr.
PCS/Box	1 pcs.
Box/Pallet	37 box
Box Wt.	60 kgs.
Total Pallet Wt.	2305 kgs.

40ft. CONTAINER

For 120x240cm Tiles
9mm Thickness



Container Packing Details

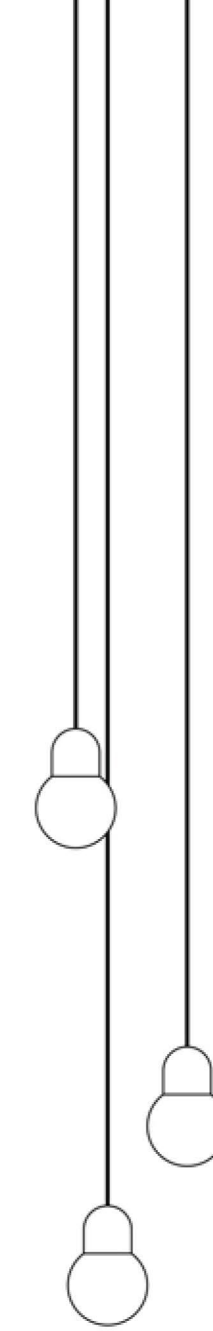
Total Pallets	12
Total Box	444
Net Wt.	26640 kgs.
Gross Wt.	27660 kgs.
Total sq. mtr.	1278.72

Pallet Layer

01	04	07	10
02	05	08	11
03	06	09	12

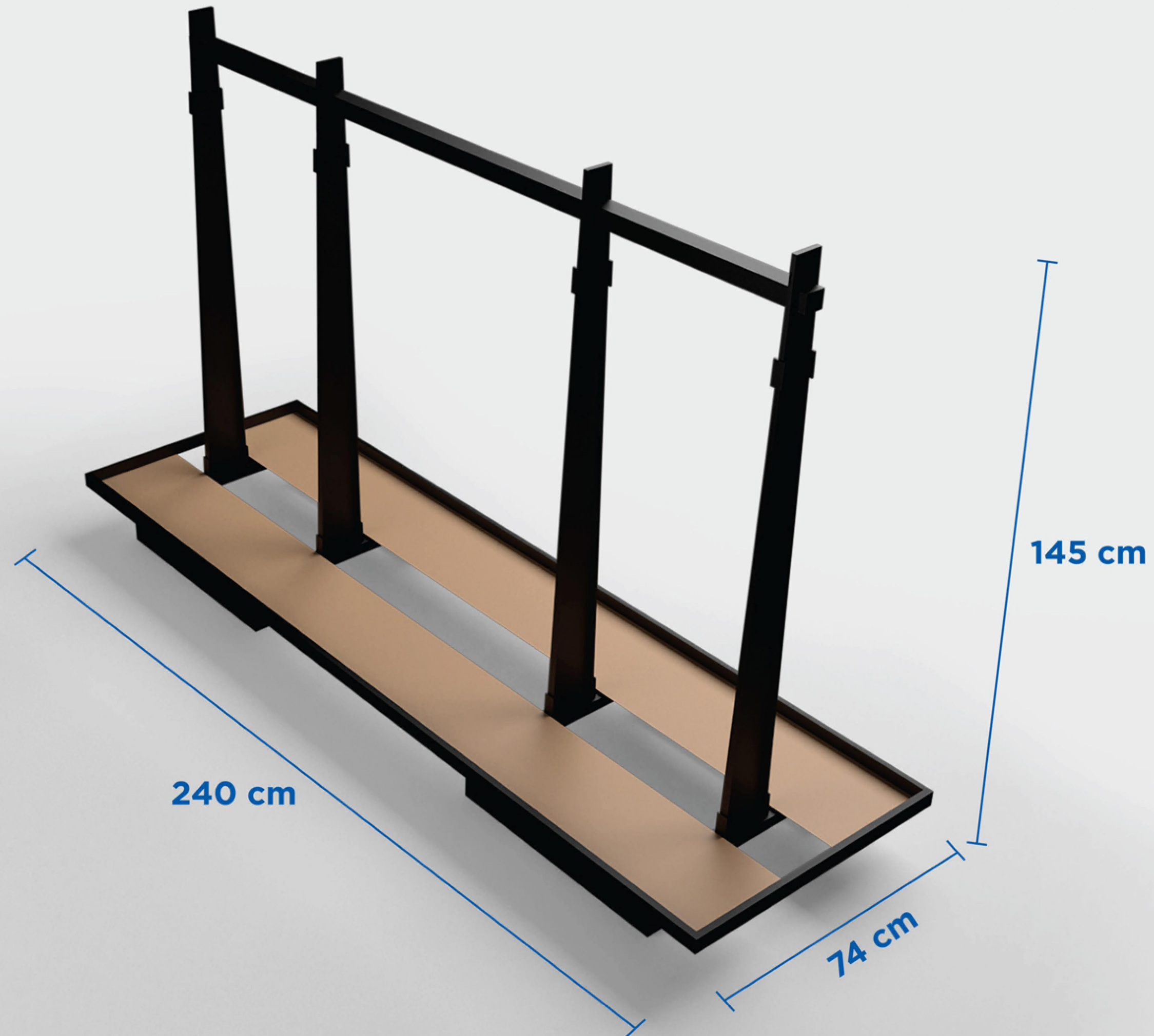
120x
240cm

▼
6mm
▲



EMPTY A PALLET

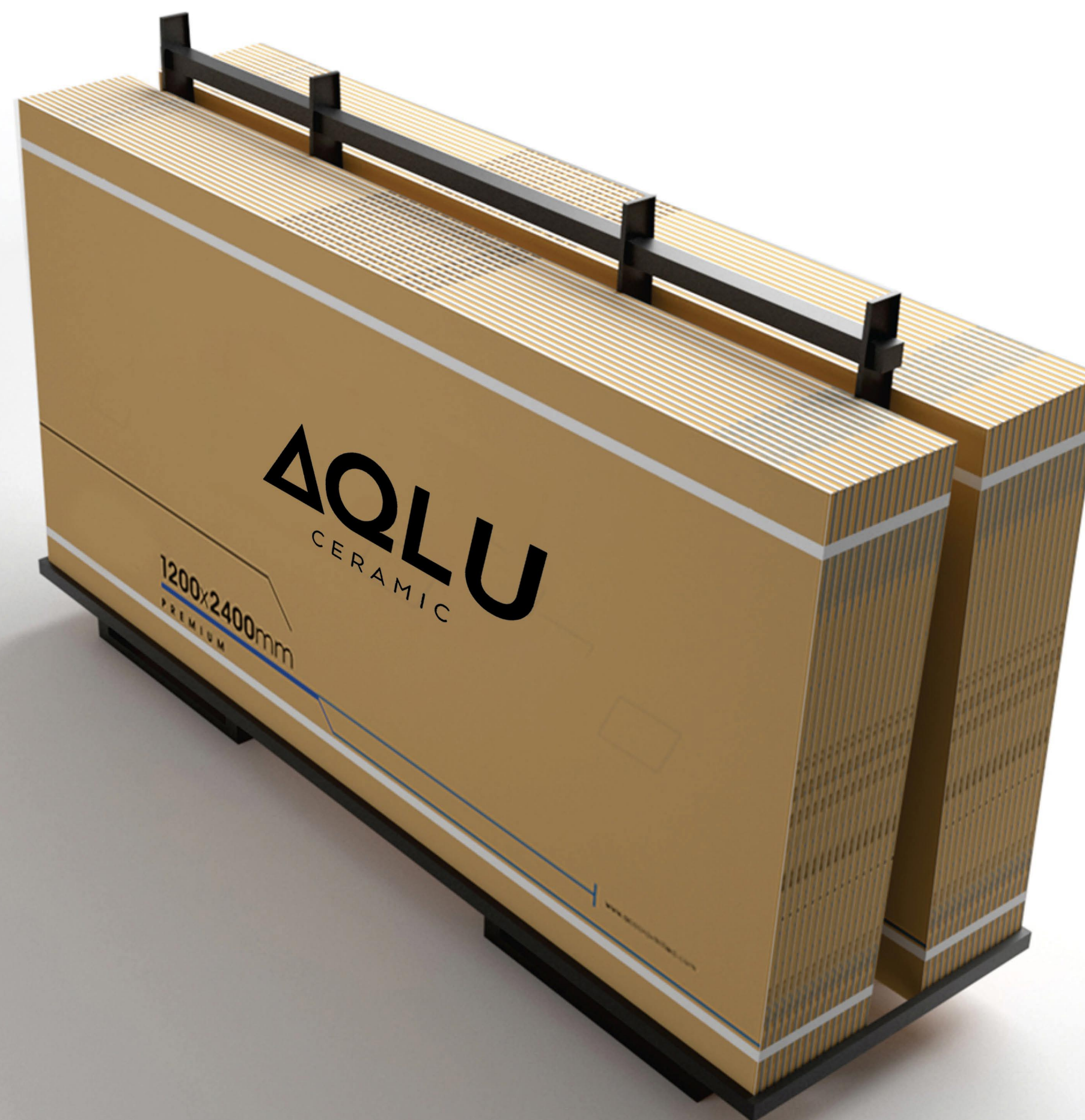
For 120x240cm Tiles
6mm Thickness



Iron Pallet
Wt.: 85 kgs.

A PALLET WITH 26 BOX

For 120x240cm Tiles
6mm Thickness

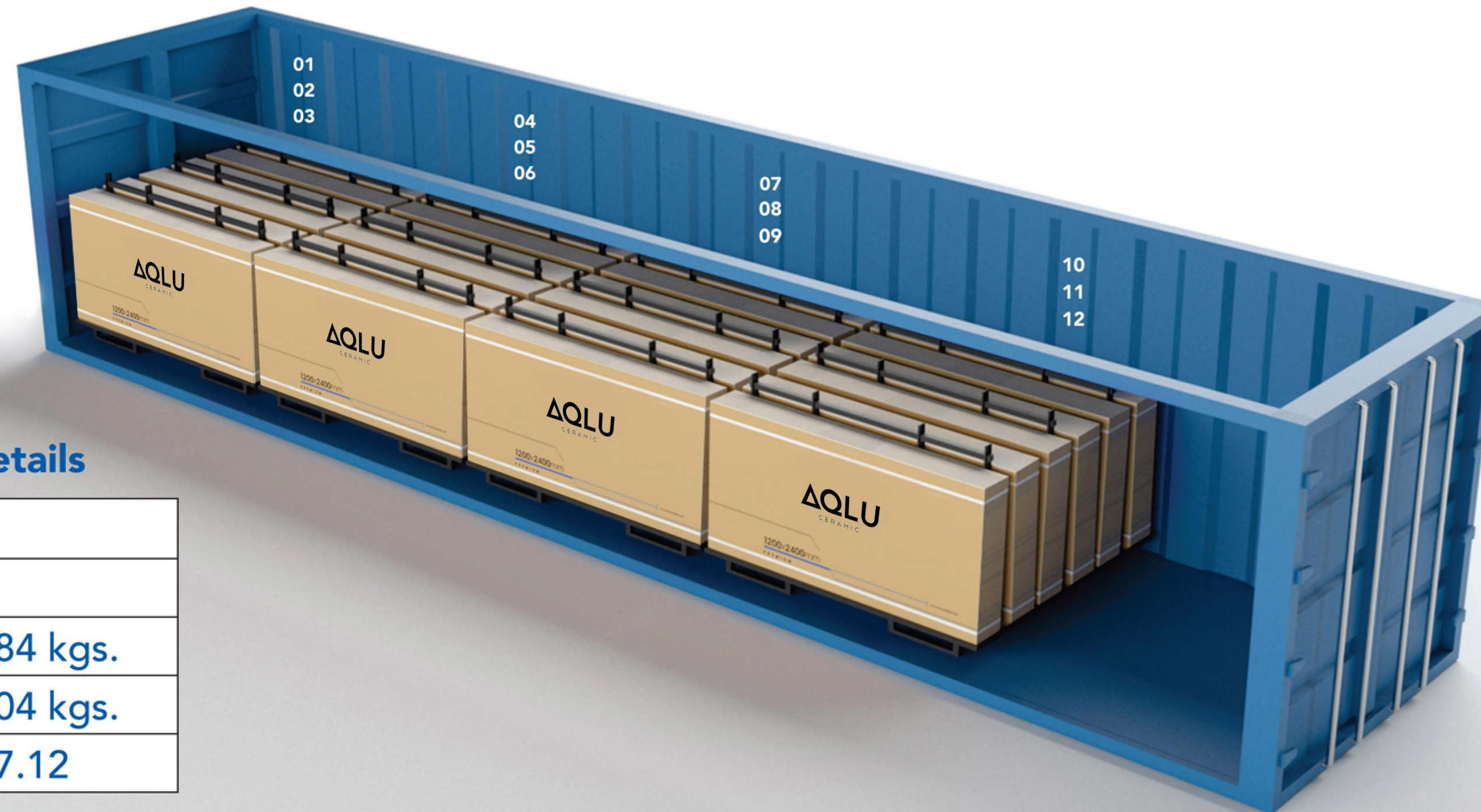


Pallet Packing Details

Thickness	6*mm
Area/Box	5.76 sq. mtr.
PCS/Box	2 pcs.
Box/Pallet	26 box
Box Wt.	82 kgs.
Total Pallet Wt.	2217 kgs.

40ft. CONTAINER

For 120x240cm Tiles
6mm Thickness



Container Packing Details

Total Pallets	12
Total Box	312
Net Wt.	25584 kgs.
Gross Wt.	26604 kgs.
Total sq. mtr.	1797.12

Pallet Layer

1	4	7	10
2	5	8	11
3	6	9	12

120x
120cm

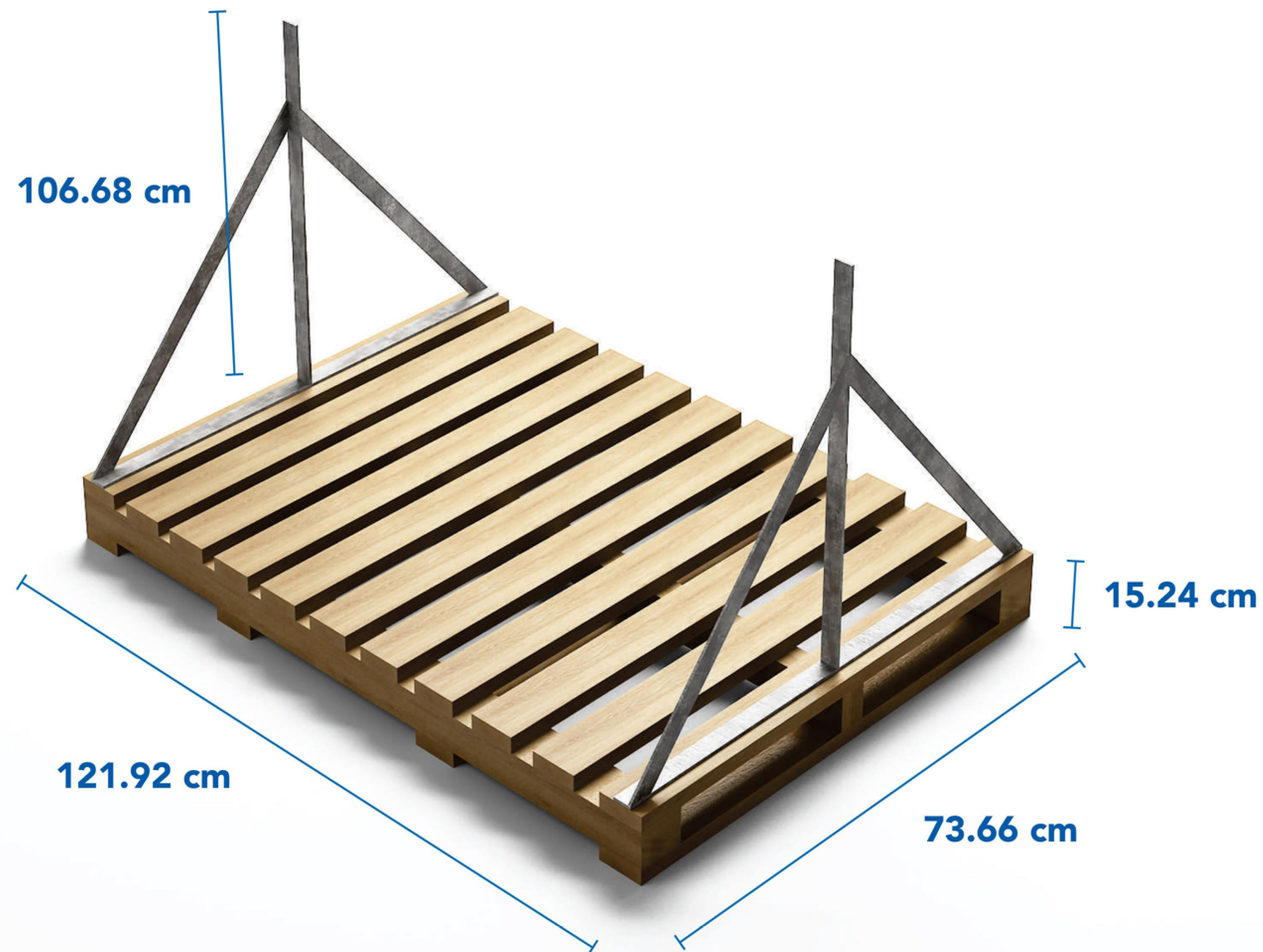
▼
9mm
▲



EMPTY T PALLET

For 120x120cm Tiles

28 BOX



Wood Base + Iron T Pallet
Wt.: 25 kgs.

T PALLET WITH 28 BOX

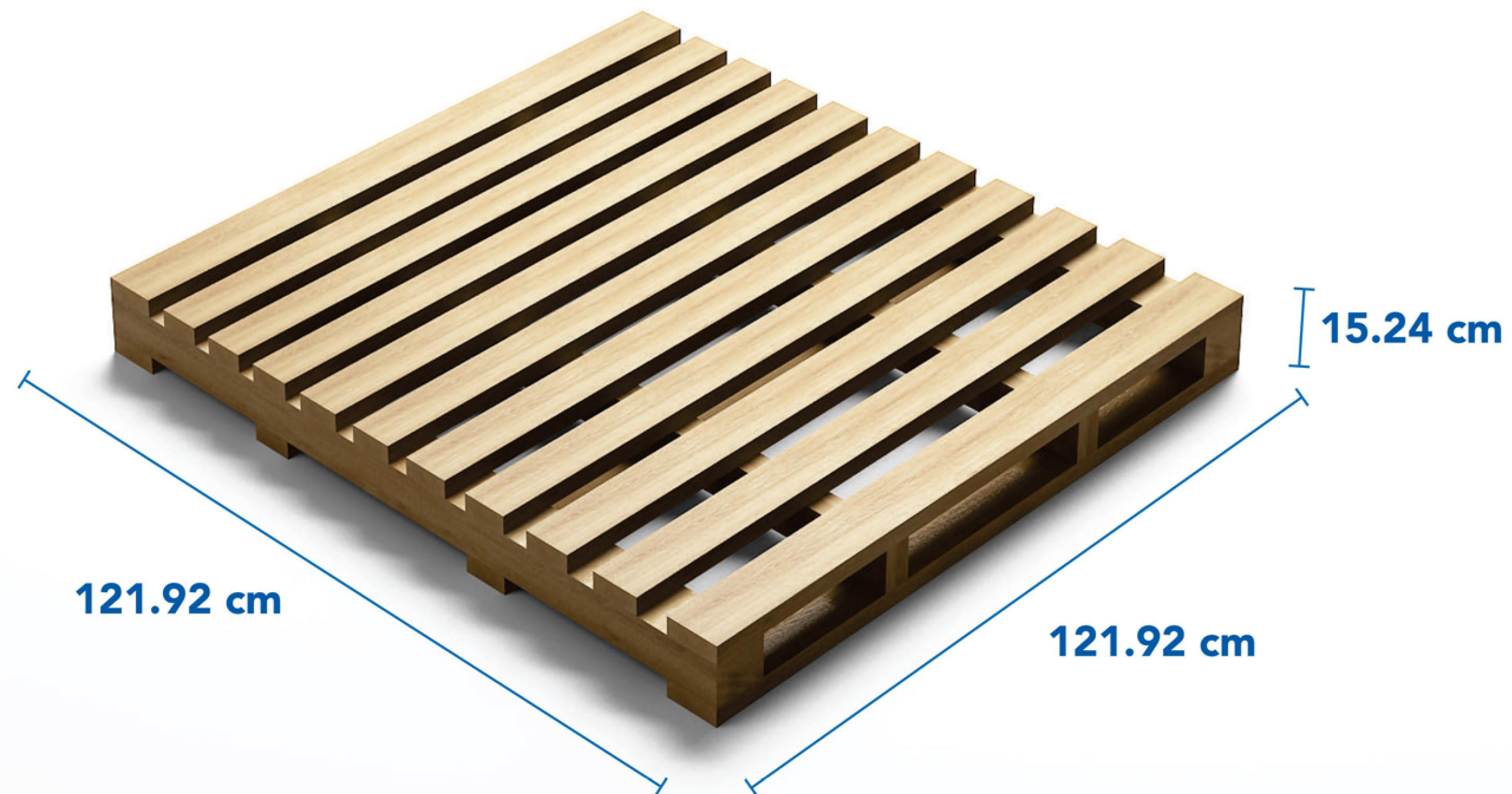
For 120x120cm Tiles



Pallet Packing Details

Thickness	9*mm
Area/Box	2.88 sq. mtr.
PCS/Box	2 pcs.
Box/Pallet	28 box
Box Wt.	60 kgs.
Total Pallet Wt.	1705 kgs.

EMPTY PALLET
For 120x120cm Tiles
20 BOX



Wood Base Pallet
Wt.: 15 kgs.

PALLET WITH 20 BOX

For 120x120cm Tiles



Pallet Packing Details

Thickness	9*mm
Area/Box	2.88 sq. mtr.
PCS/Box	2 pcs.
Box/Pallet	20 box
Box Wt.	60 kgs.
Total Pallet Wt.	1215 kgs.

20ft. CONTAINER

For 120x120cm Tiles



Container Packing Details

Total Pallets	17
Total Box	444
Net Wt.	26640 kgs.
Gross Wt.	27025 kgs.
Total sq. mtr.	1278.72

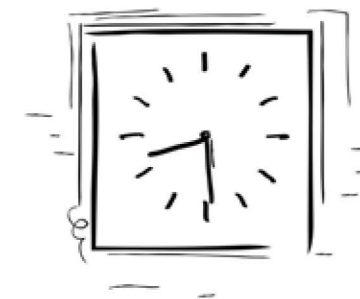
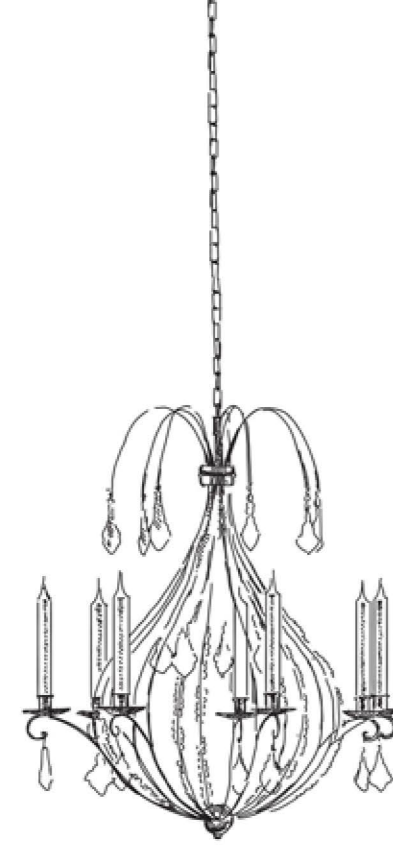
Pallet Layer

03	06	09	12	
	15		17	
02	05	08	11	
14		16		
01	04	07	10	13

Pallets (28 box)	13	Box (28 box)	364
Pallets (20 box) + 04		Box (20 box) +	80
Total Pallets	= 17	Total Box	= 444

80x
160cm

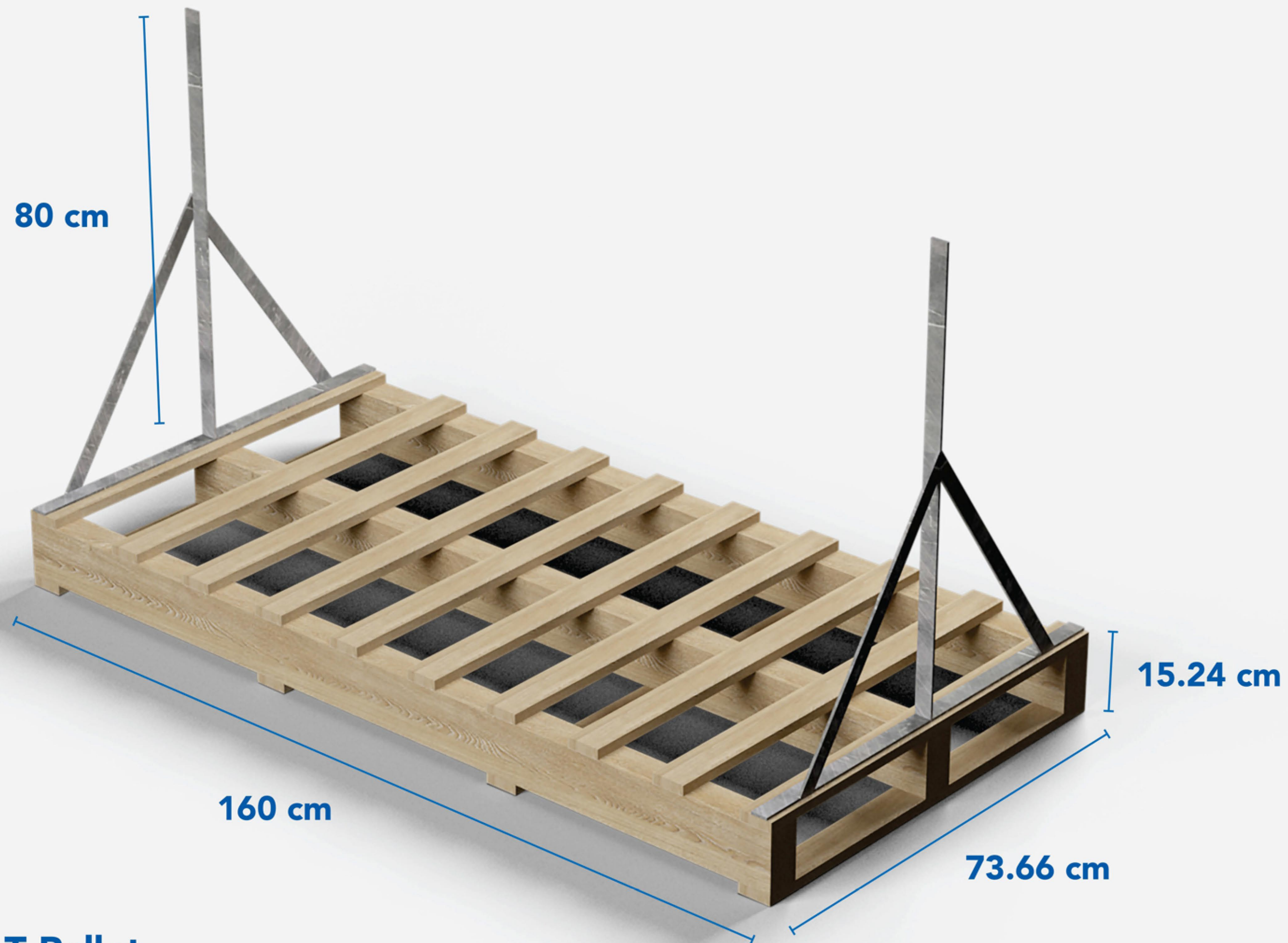
▼
9mm
▲



EMPTY T PALLET

For 80x160cm Tiles

28 BOX



Wood Base + Iron T Pallet
Wt.: 25 kgs.

T PALLET WITH 28 BOX

For 80x160cm Tiles



Pallet Packing Details

Thickness	9*mm
Area/Box	2.56 sq. mtr.
PCS/Box	2 pcs.
Box/Pallet	28 box
Box Wt.	54 kgs.
Total Pallet Wt.	1537 kgs.

20ft. CONTAINER

For 80x160cm Tiles



Container Packing Details

Total Pallets	18
Total Box	504
Net Wt.	27216 kgs.
Gross Wt.	27666 kgs.
Total sq. mtr.	1290.24

Pallet Layer

<u>03</u>	<u>06</u>	<u>09</u>
12	15	18
<u>02</u>	<u>05</u>	<u>08</u>
11	14	17
<u>01</u>	<u>04</u>	<u>07</u>
10	13	16

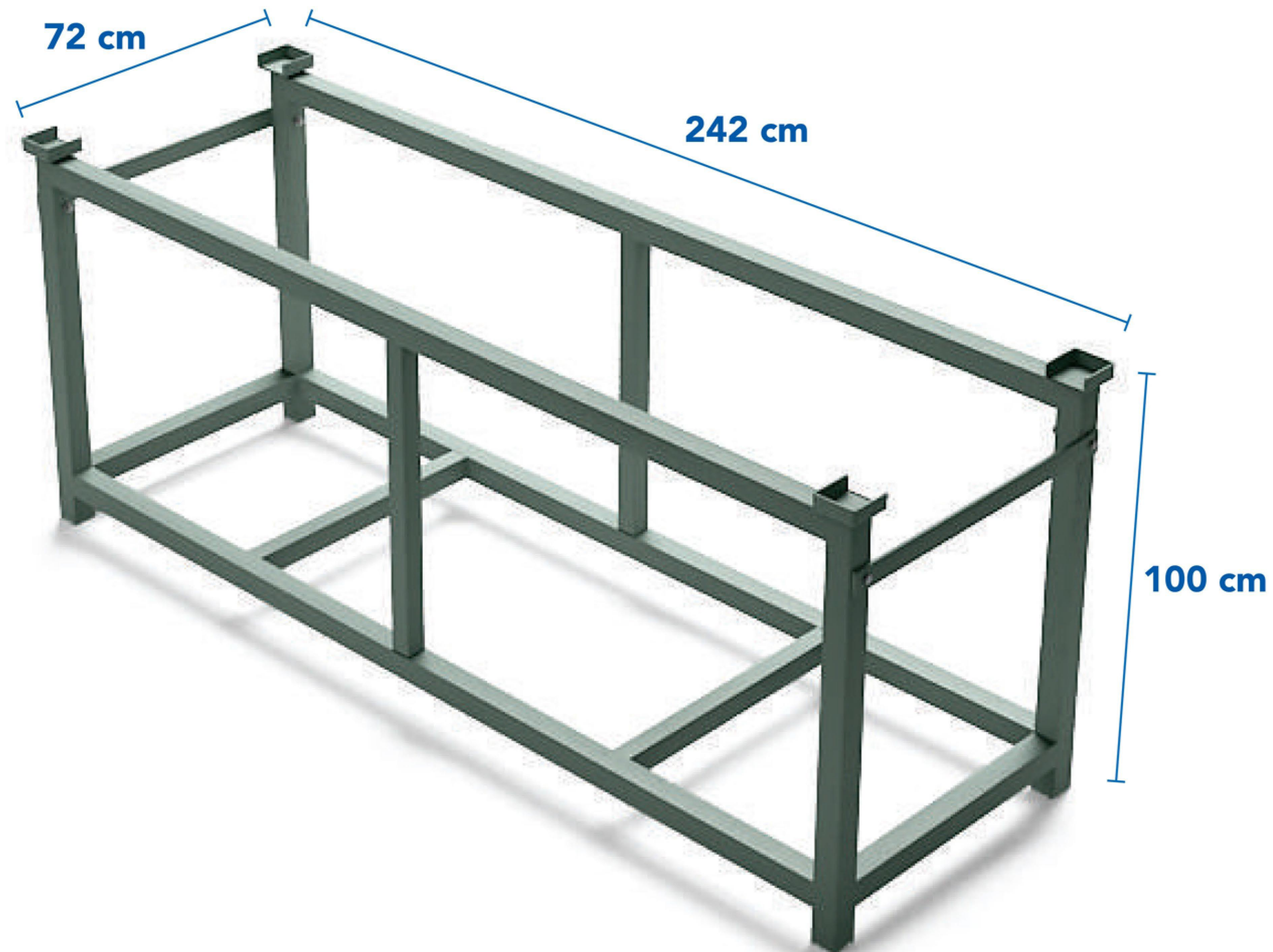
80x
240cm

▼
15mm
▲



EMPTY PALLET - 28 Box

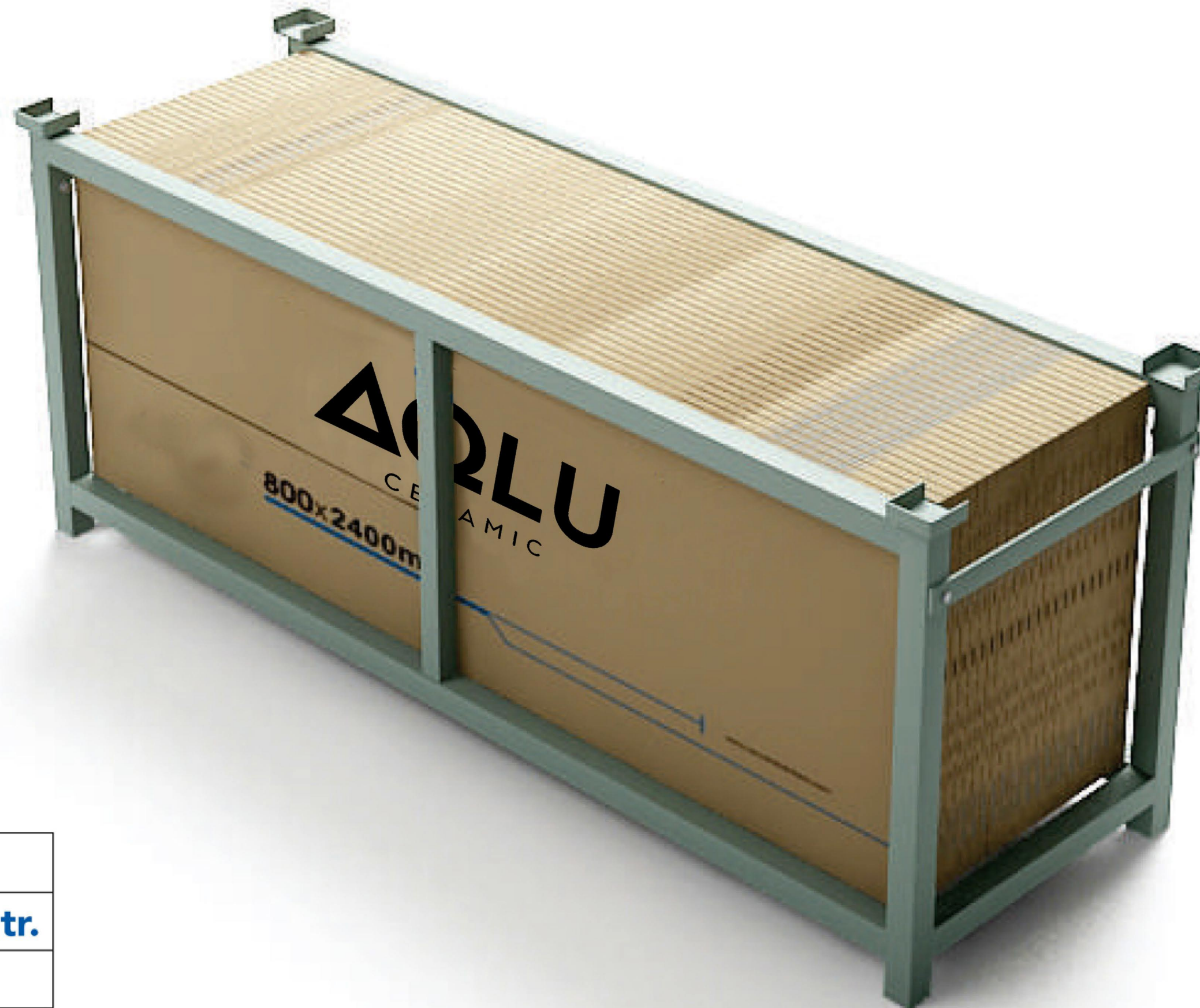
For 80x240cm
15mm Thickness



Iron Pallet
Wt.: 80 kgs.

PALLET - 28 Box

For 80x240cm
15mm Thickness



Pallet Packing Details

Thickness	15*mm
Area/Box	1.92 sq. mtr.
PCS/Box	1 pcs.
Box/Pallet	28 box
Box Wt.	68 kgs.
Total Pallet Wt.	1984 kgs.

40ft. CONTAINER

For 80x240cm
15mm Thickness



Container Packing Details

Total Pallets	14
Total Box	392
Net Wt.	26656 kgs.
Gross Wt.	27776 kgs.
Total sq. mtr.	752.64

Pallet Layer

01 & 13	04	07	10
02	05	08	11
03 & 14	06	09	12

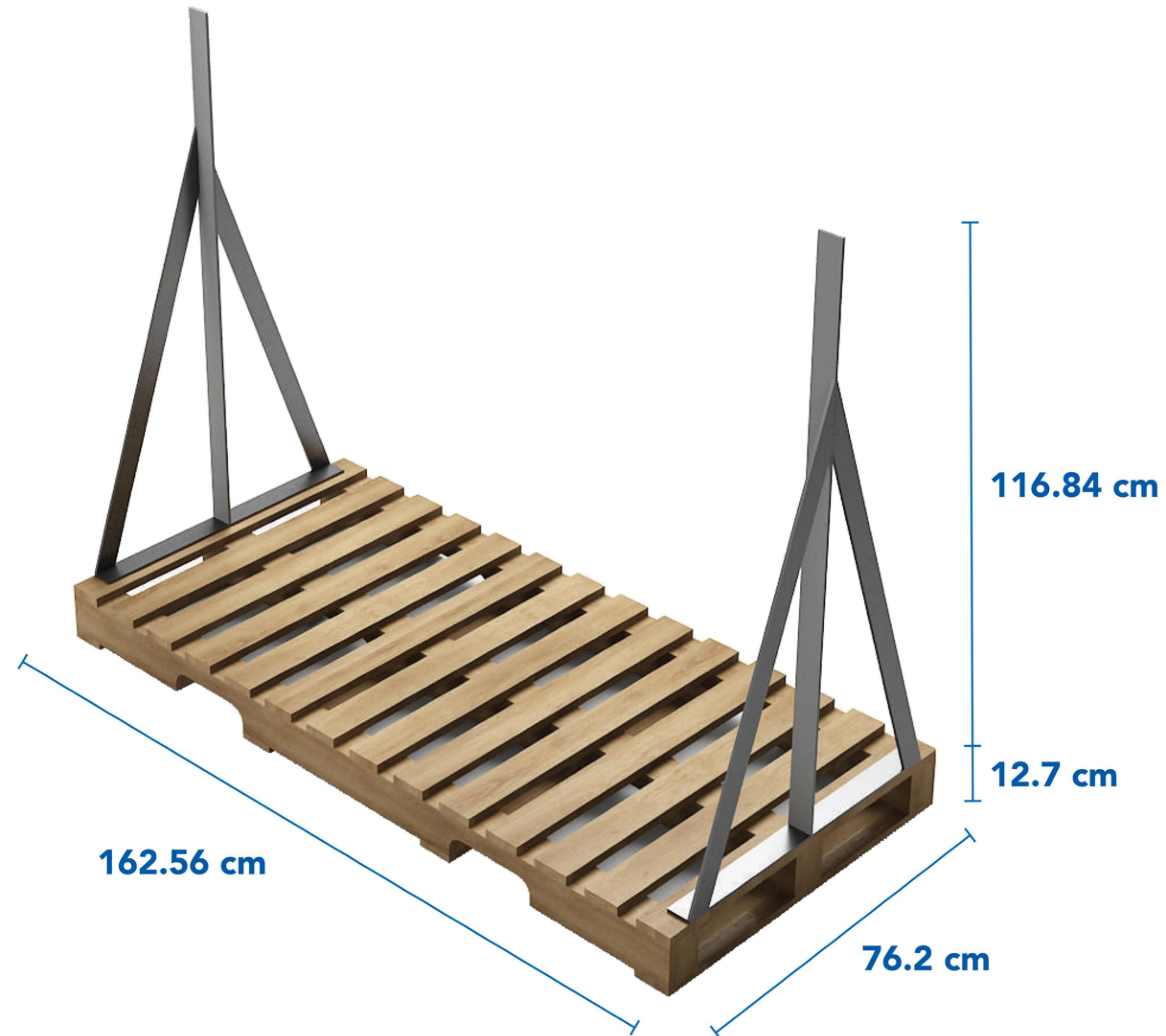
120x
160cm

▼
15mm
▲



EMPTY T PALLET - 30 Box

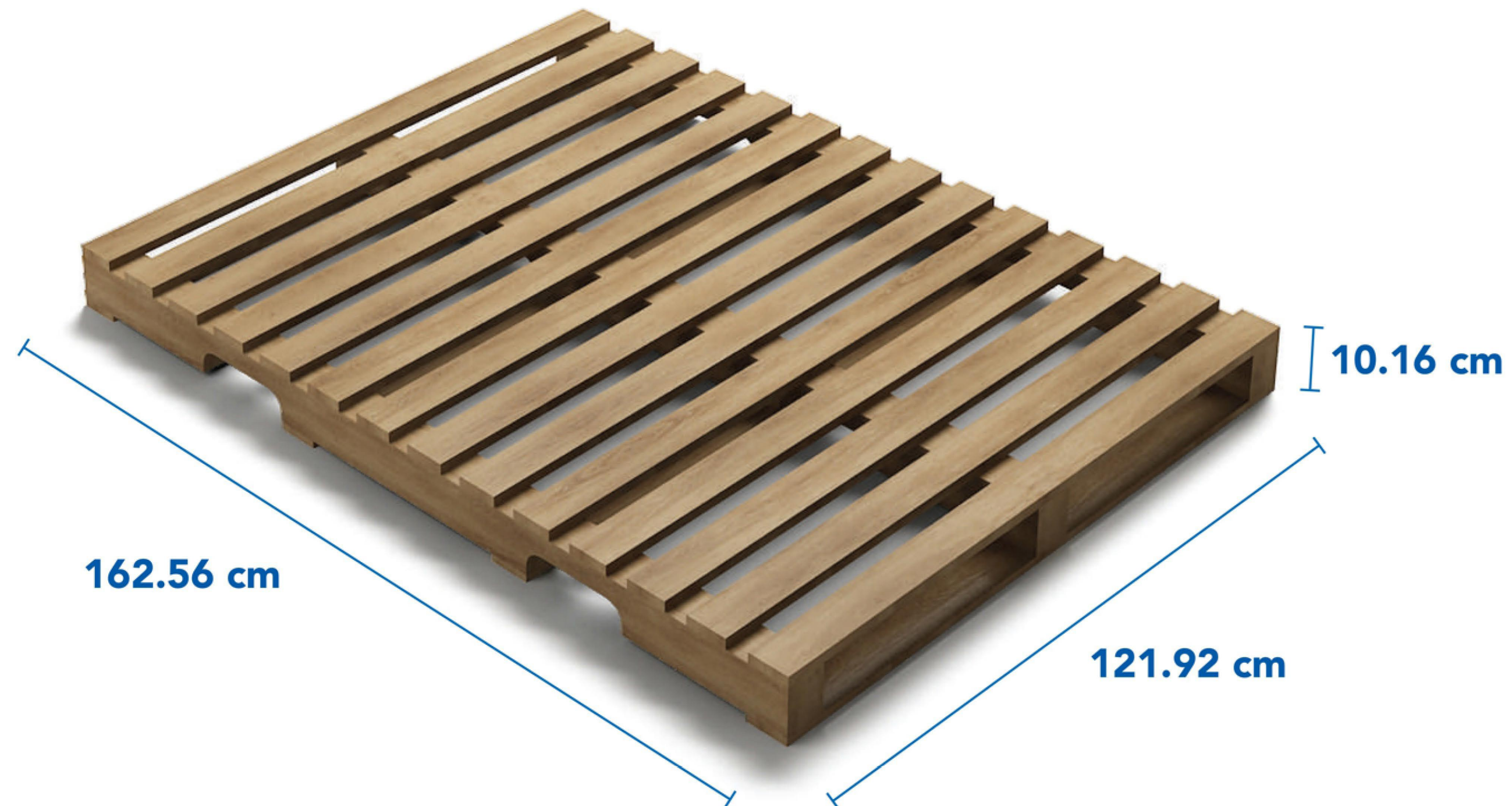
For 120x160cm
15mm Thickness



Wood Base + Iron T Pallet
Wt.: 35 kgs.

EMPTY PALLET - 15 Box

For 120x160cm
15mm Thickness



Wood Base
Wt.: 30 kgs.

T PALLET - 30 Box

For 120x160cm
15mm Thickness

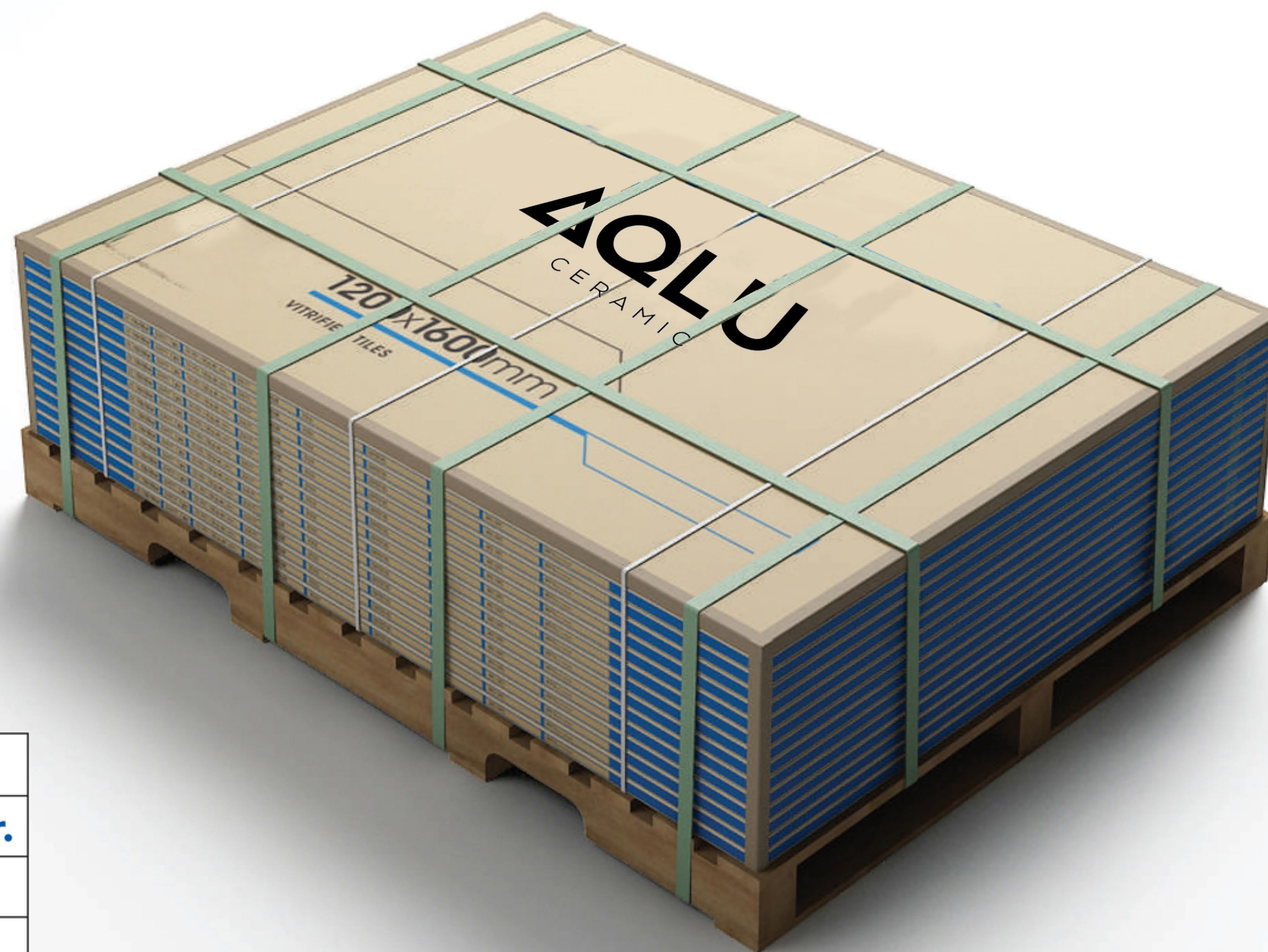


Pallet Packing Details

Thickness	15*mm
Area/Box	1.92 sq. mtr.
PCS/Box	1 pcs.
Box/Pallet	30 box
Box Wt.	68 kgs.
Total Pallet Wt.	2075 kgs.

PALLET - 15 Box

For 120x160cm
15mm Thickness



Pallet Packing Details

Thickness	15*mm
Area/Box	1.92 sq. mtr.
PCS/Box	1 pcs.
Box/Pallet	15 box
Box Wt.	68 kgs.
Total Pallet Wt.	1050 kgs.

20ft. CONTAINER

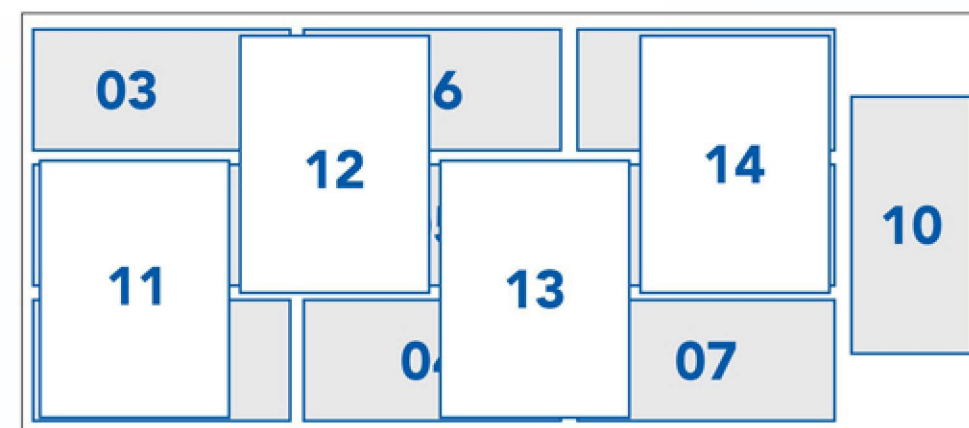
For 120x160cm
15mm Thickness



Container Packing Details

Total Pallets	14
Total Box	360
Net Wt.	24480 kgs.
Gross Wt.	24950 kgs.
Total sq. mtr.	691.20

Pallet Layer



Pallets (30 box)	10	Box (30 box)	300
Pallets (15 box) + 04		Box (15 box) +	60
Total Pallets	= 14	Total Box	= 360

The best time
company ever



AQLU
CERAMIC

+91 9638470770 | +91 7984015714

www.aqluceramica.com

aqlucericllp@gmail.com